



N. 02 // 20



CE



AMIN POWER ENERGY

+48 603 442 277

+48 691 442 270

Zielone Wzgórze 6, 67-210 Głogów

biuro@powerenergy.com.pl



ROTAIR®

SPECIAL



FIBRE»OPTIC PROGRAM

VRK

FIBRA»FIBRA PLUS

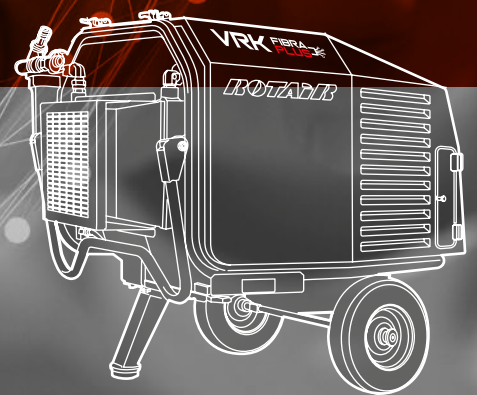
SPECIAL
FIBRE»OPTIC



CONCEIVED FOR
FIBRE-OPTIC
CABLE LAYING



With
INTEGRATED COOLING
and **DRYING SYSTEMS**



HIGH QUALITY COMPRESSED AIR

VRK FIBRA PLUS

*specifically designed
to meet the needs
of fibre optic cable
blowing professionals*

FROM MOTORWAYS
TO DIGITAL HIGHWAYS,
COMPRESSED AIR
HAS ALWAYS PLAYED
A LEADING ROLE
**IN BUILDING
THE NEXT FUTURE**

ROTAIR, since 1961, designed and manufactured world-class compressors for all requirements of compressed air. The right machine for each specific need of high quality compressed air.



**COMPACT DESIGN, EXTREMELY
MANEUVERABLE AND EASY ACCESS
FOR MAINTENANCE.
ALL FILTERS READILY ACCESSIBLE.**

- › All moving parts are inaccessible, according to the most stringent safety norms
- › Cooling ventilator shielded & inaccessible
- › Muffler under the machine, less noise and avoids risks of accidental burns
- › Cooling fan on engine axle
- › Easy access for maintenance
- › Easy to lift & transport
- › Lifting eye for crane
- › Solid-type wheels



FOR FIBRE OPTIC CABLE BLOWING

VRK

FIBRA **PLUS**

INTEGRATED COOLING AND DRYING SYSTEM

**ONE SINGLE, COMPACT,
EASY TO TRANSPORT
AND MANEUVERABLE MACHINE,
IMMEDIATELY READY TO WORK.**

- › Double-stage air/oil separation
- › Lowest oil in air for this category:
1-3 PPM!
- › Air cooling and drying integrated
in the unit
- › System for proportional acceleration
at air demand:
 - Less noise and consumption
 - Power all declined to air flow
- › Easy handling & maintenance
- › Petrol tank in sight & extractable
for practical refuelling
- › All filters are spin-on /
bayonet-type, for faster change



- › Intuitive starter
- › Integrated hours counter
- › Manometer
- › Thermostat with safety arrest @ high
temperatures
- › Start/Stop @ low pressures:
 - Automatically activated when starting
the machine
 - Brings machine to 2 bar
 - Prevents separator filter to collapse due
to the difference of pressure
 - Longer life of machine and components
 - Avoids oil in line
 - Better start in cold temperatures.



VRK

FIBRA PLUS



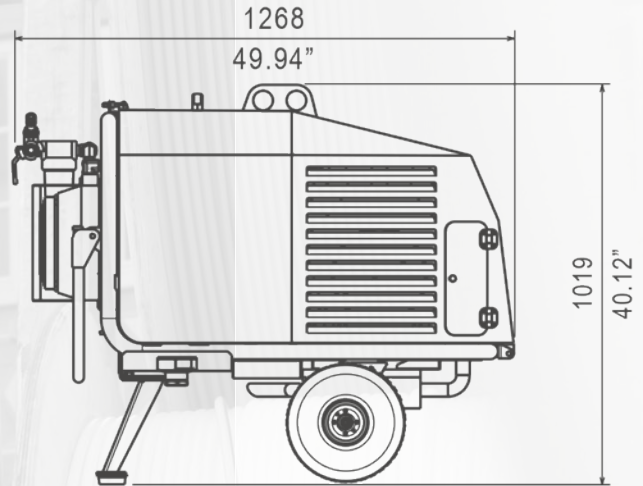
260 kg
573 lbs

Separated second cooler and fan, for extreme cool air output

Condensates separator.

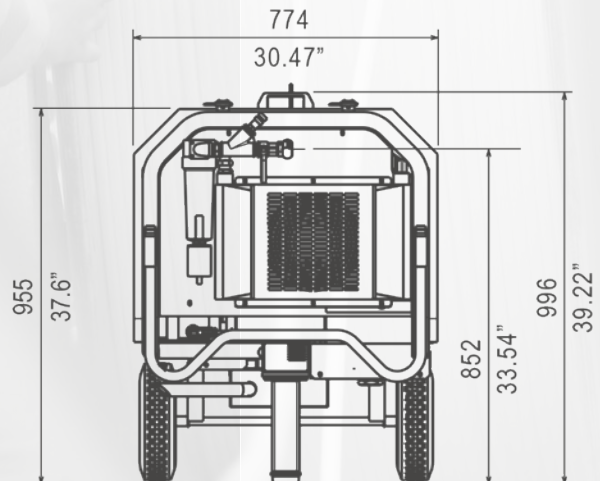
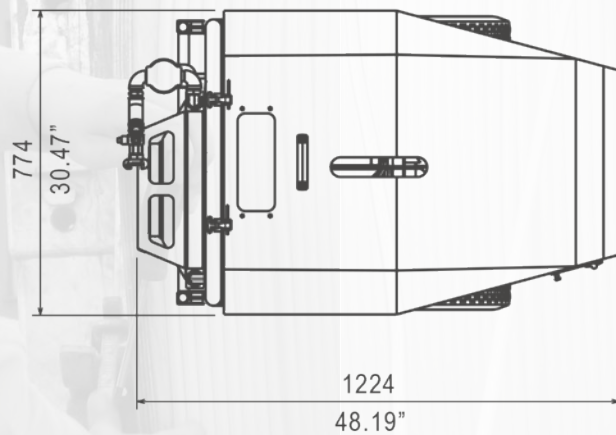
Compressed air temperature:

Ambient +0°C / +2°C // Ambient +0°F / +3,6°F



INTEGRATED COOLING and DRYING SYSTEMS

- ▶ High performance asymmetric-profile air end with safety thermostatic arrest in case of overheat.
- ▶ High efficiency trapezoidal belt-drive, over-dimensioned to ensure transmission with less maintenance.
- ▶ Pneumatic control system, ROTAIR production, to automatically adjust engine revs, depending on the air to be delivered. This system is highly reliable and ensures fuel consumption savings.
- ▶ Automatic depressurization at the end of the work cycle.
- ▶ Separator tank with double air/oil separation-internal filter and external spin-on: oil carry-over ≤ 1 PPM.
- ▶ Air/oil separator filter, highly oversized, to guarantee an excellent air/oil separation.
- ▶ Compressor air filter and engine air filter are separated.
- ▶ Single stage oversized air filter for compression circuit, to guarantee good filtering of the air intaken by air end.
- ▶ Cooler dimensioned to ensure optimal compressor oil cooling in high ambient temperatures (max 45°C)



EXTRA COOL



COMPRESSOR

Max operating pressure	15 bar - 218 psi
Free Air Delivery	1000 l/min - 28 cfm
Minimum working pressure	5,5 bar - 80 psi
Drive system engine-airend	Belt-drive XPZ oversized
Compressor cooling system	Air / Oil
Oil cooling capacity	5 lt - 1.33 UK gal
Outlet valves	1 x 3/4"
Noise level EECno 2000/14	≤ 97 LWA
Battery capacity	12V cc - 330A-45Ah (EN)
Fuel tank capacity	15 lt - 3,3 UK gal
Consumes (average engine man.data)	6,7 lt/h - 1,47 UK gal/h

PETROL ENGINE

Engine make	HONDA
Engine type	GX690
Engine system	4 strokes
Displacement	690 cc
N. cylinders	2
Aspiration	Natural
Max engine power @3600 RPM	16.5 kW - 22.5 HP
Max engine speed	3400 RPM
Min engine speed	2000 RPM
Cooling system	Air
Lubrication system	Oil
Lubrication system capacity	1,9 lt - 0.42 UK gal

QUALITY OF AIR

Oil in air	1-3 PPM
Compressed air temperature	Ambient +0°C / +2°C Ambient +0°F / +3,6°F

ENVIRONMENTAL CONDITIONS

Max altitude	1800 m a.s.l.
Min working temperature	-10°C / 14°F
Max ambient temperature	+46°C / 115°F

powerful > compact

PORTABLE COMPRESSORS FIBRA

QUALITY EXTRA COOL
COMPRESSED AIR
FOR FIBRE OPTIC
CABLE BLOWING

The machine conforms to the most stringent norms - CE Directive, EN safety and compatibility norms - and its design and manufacturing are conform to ROTAIR Quality System in the framework of **ROTAIR Total Quality Management**.

Machine is supplied with:

- Manual of use and maintenance, including diagrams and electric schemes
- Spare parts manual



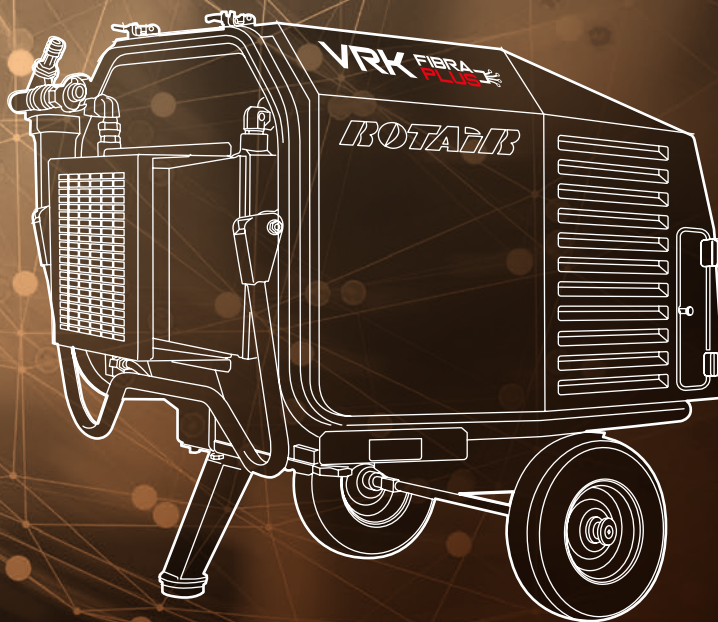
THE RESPECT OF ORDINARY
MAINTENANCE INTERVALS AND
THE USE OF GENUINE SPARE
PARTS ENSURE CONSTANT
AND OPTIMAL PERFORMANCES AND A
RELIABLE DURABILITY THROUGH TIME.

VRK

FIBRA PLUS

SPECIAL
FIBRE
OPTIC

CONCEIVED FOR
FIBRE-OPTIC
CABLE LAYING



ROTAIR®

Azienda certificata
ISO 9001:2015



AMIN POWER ENERGY

+48 603 442 277

+48 691 442 270

Zielone Wzgórze 6, 67-210 Głogów
biuro@powerenergy.com.pl

